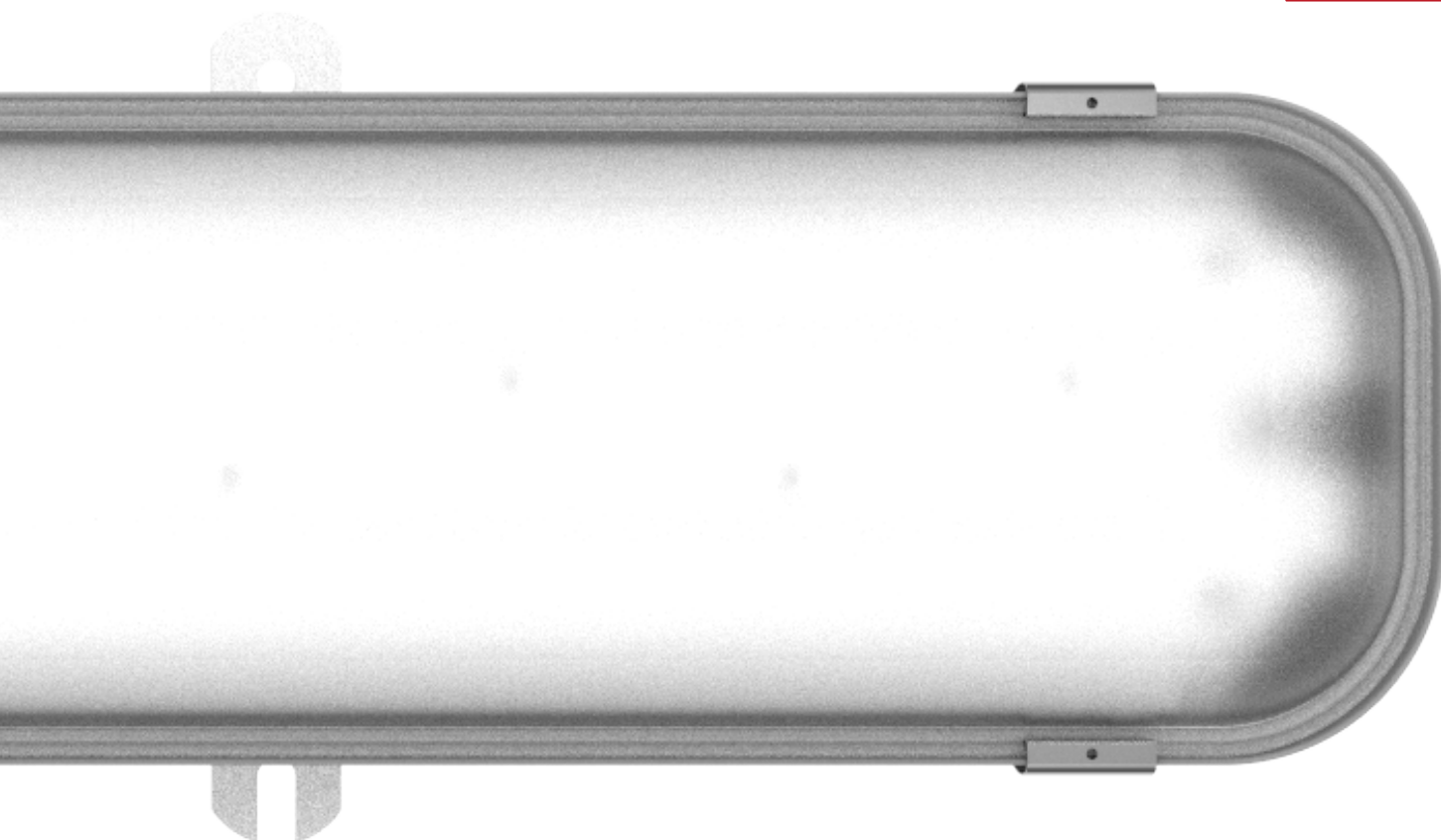
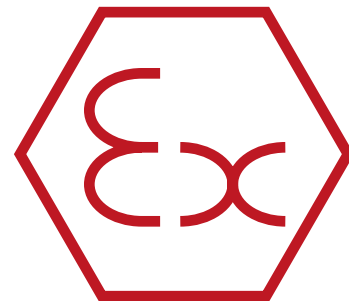


EXPLOSIONPROOF LIGHT FIXTURES

ZONE 21, 2&22



EXL2 | 0LED



© Copyright ATM Lighting sp. z o.o. Wszystkie prawa zastrzeżone.
Firma ATM Lighting sp. z o.o. zastrzega możliwość wprowadzenia zmian bez uprzedniego informowania.



EX MARKING:



CERTIFICATES:

KDB 15ATEX00049X
CNBOP Nr 3549/2019
ATEST PZH

EXAMPLARY APPLICATIONS



REFINERIES



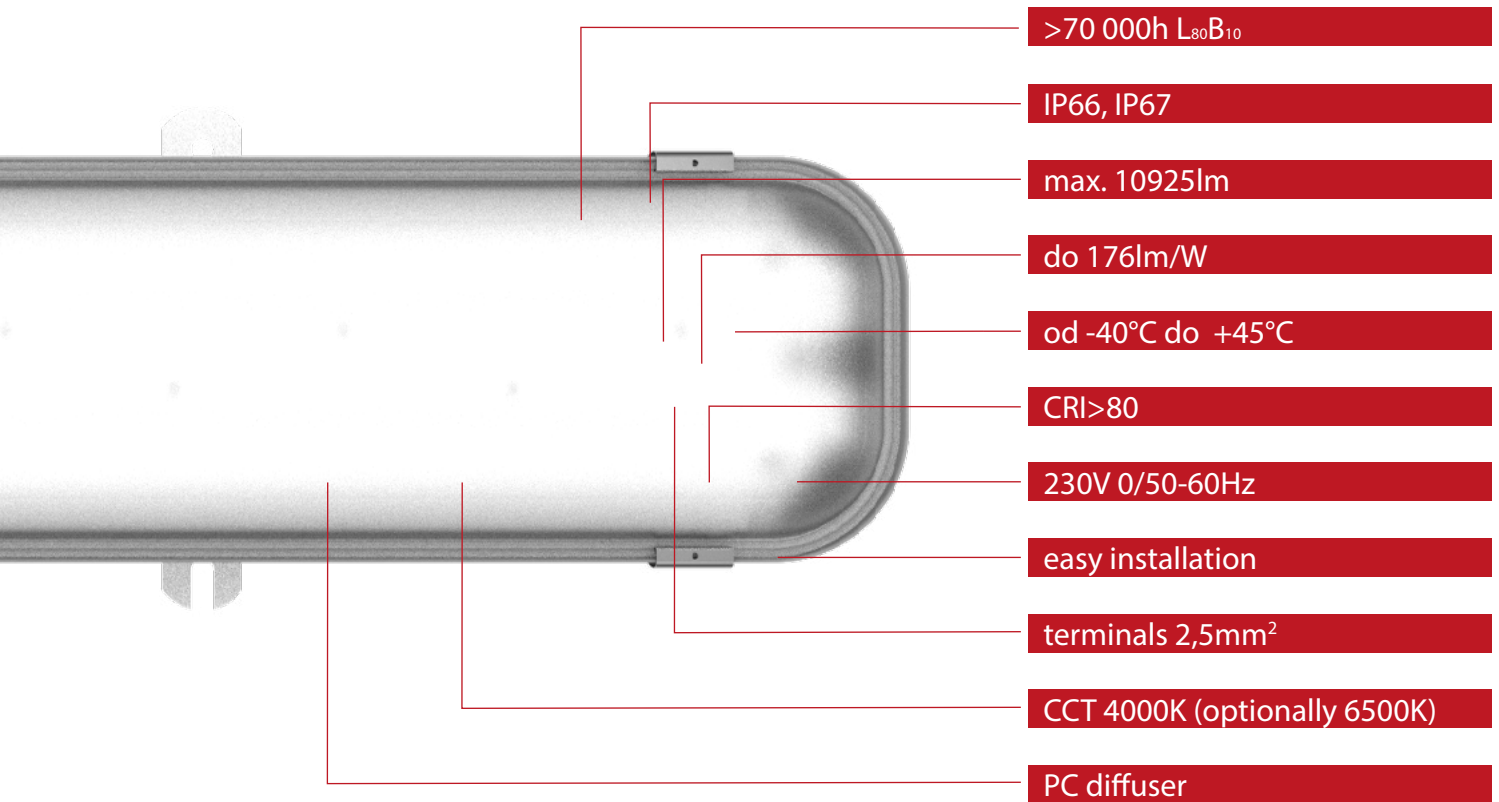
OIL TANKS

CHEMICAL
PLANTSOIL
DISTRIBUTION
FACILITIESCHEMICAL
WAREHOUSES

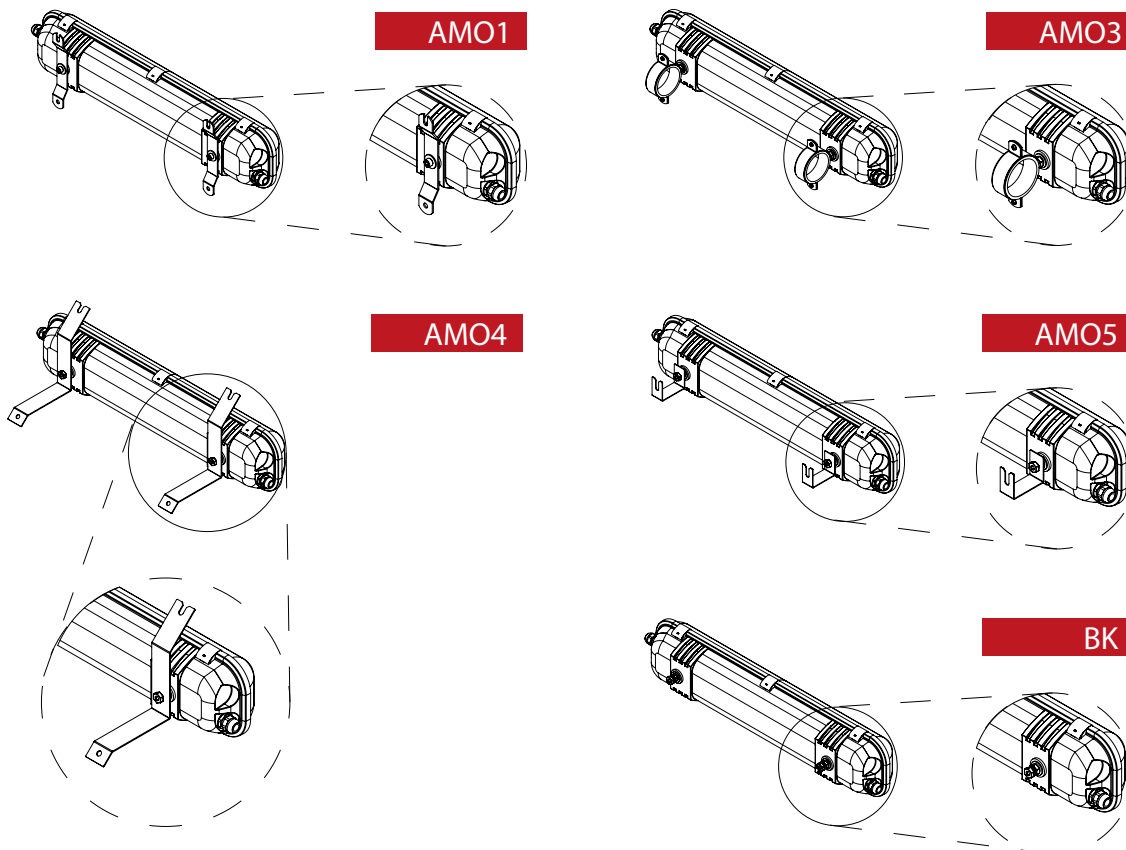
Explosionproof light fixture with LED modules. Designed to work in ZONE 21 & 2,22 of the explosion hazard of gases, vapors and mists of flammable liquids with air, as well as flammable dusts and fibers. The housing is made of borosilicate glass and aluminum.

Light fixture has **ATEX KDB 15ATEX00049X** certificate. Optionally available with DALI control system. Battery emergency version with selftest function. Multiple central-battery versions.

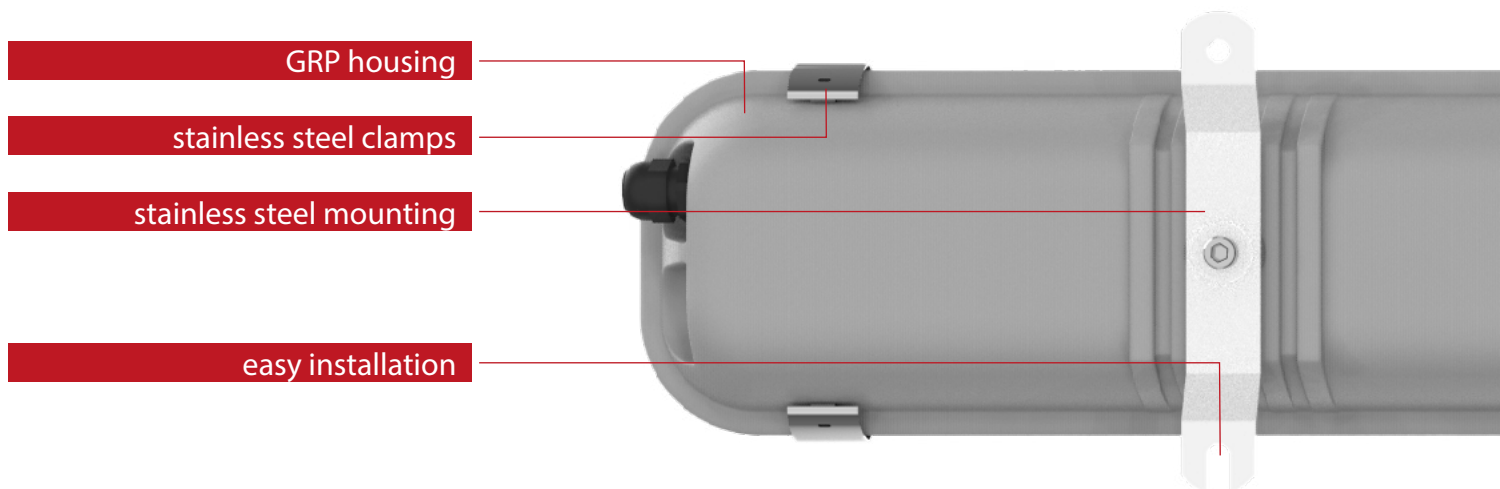
FEATURES



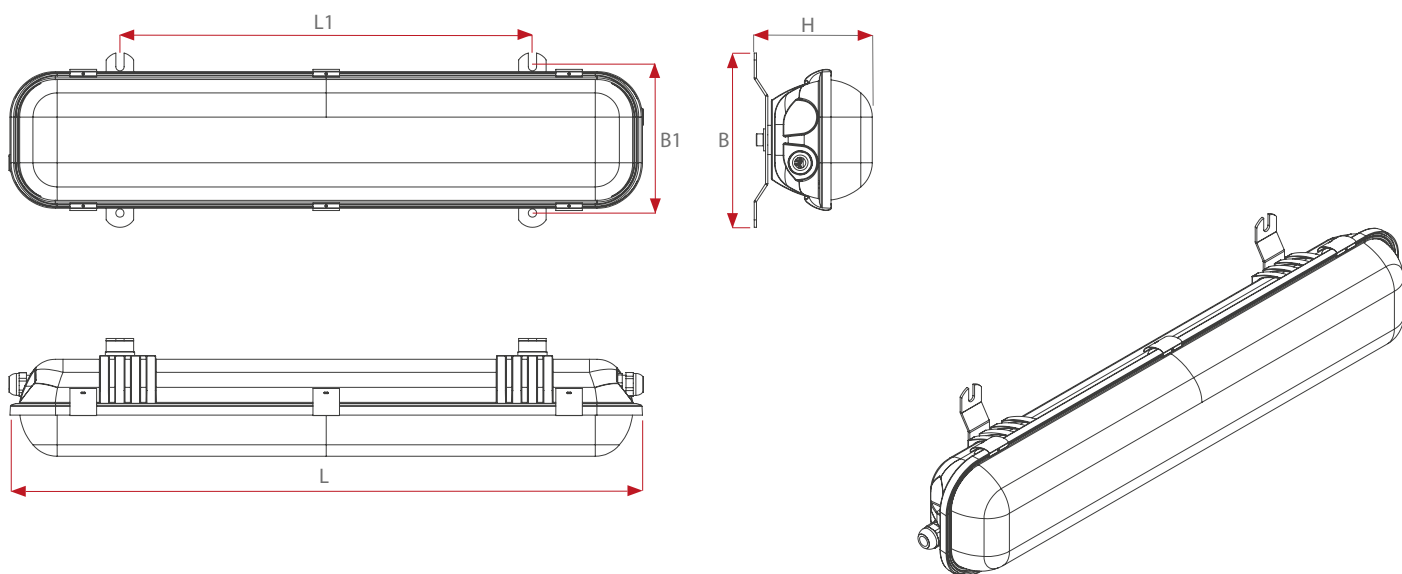
MOUNTINGS



FEATURES



DIMENSIONS



TYPE	L	L1	B	B1	H
EXL210LED-0600	700	450	190	160	129
EXL210LED-1200	1300	800	190	160	129
EXL210LED-1500	1600	1000	190	160	129

TYPES

TYPES COMPARISON

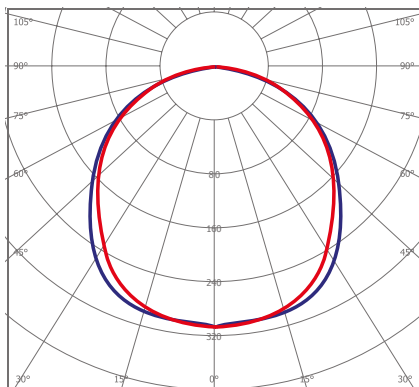
TYPE	LUMINOUS FLUX [lm]	POWER [W]	EFFICACY [lm/W]	AMB.TEMP. [°C]
EXL210LED-0600-E2	2750	16,2	170	-40 - +45
EXL210LED-0600-E4	5486	31,5	174	-40 - +45
EXL210LED-1200-E4	6450	38	170	-40 - +45
EXL210LED-1200-E8	10925	62,2	176	-40 - +45
EXL210LED-1500-E6	8207	46,9	175	-40 - +45

MEAN EMERGENCY FLUX

TYPE	A3 VERSION [lm]	ZB VERSION [lm]
EXL210LED-0600-E2	836	1375
EXL210LED-0600-E4	812	2735
EXL210LED-1200-E4	796	3225
EXL210LED-1200-E8	808	5470
EXL210LED-1500-E6	780	4103

* A3 version EXL210LED light fixture is equipped with internal emergency module with battery capable to work for 3h in case of mains failure

PHOTOMETRY



AVAILABLE CONFIGURATIONS

E	X	L	2	1	0	L	E	D					E	3	E					GRP	PC	
									0	6	0	0	2	4		30	10	M	20			A3*
									1	2	0	0	4	5		33	11	P	25			ZB
									1	5	0	0	6			40	20*					ZBT*
													8			44	21*					ZBC*
																50	22*					ZBD*
																55						ZBS*
																60						ZBR*
																66						ZBH*
																70						ZBM*
																77						DA
																80						
																88						

* version A3/ZBT/ZBC/ZBD/ZBS/ZBR/ZBH/ZBM are suitable to work in ZONE 2,22 and are marked II 3G Ex ec IICT5 Gc, II 3D Ex ec IIIC T60°C Dc, emergency version A3 is destined to work in temperature range 0°C up to +45°C

- A3 - version with 3h emergency backup, required 40 or 44 wiring
- ZB - version without switching module, required 30 or 33 wiring
- ZBT - version with TM-AM switching module, required 60 or 6 wiring, 80 or 88 (for DALI version)
- ZBC - version with V-CG-S 4-400W, required 30 or 33 wiring
- ZBS - version with MSU 3S, required 50 or 55 wiring
- ZBR - version with MU05, required 60 or 66 wiring
- ZBH - version with MAPS-01, required 80 or 88 wiring
- ZBD - version with V-CG-SE 4-400W, required 50 or 55 wiring
- ZBM - version with LMP-1, required 50 or 55 wiring
- DA - version with DALI ballast, required 50 or 55 wiring

ADDITIONAL INFORMATION



The optional DA version is equipped with an integrated power supply with a DALI interface, which allows to monitor the operation of light fixtures and control lighting using data directly from motion sensors or from the Building Management System (BMS). A properly configured lighting control system can significantly reduce electricity costs and improve the ergonomics of users' work.

DOWNLOADS

