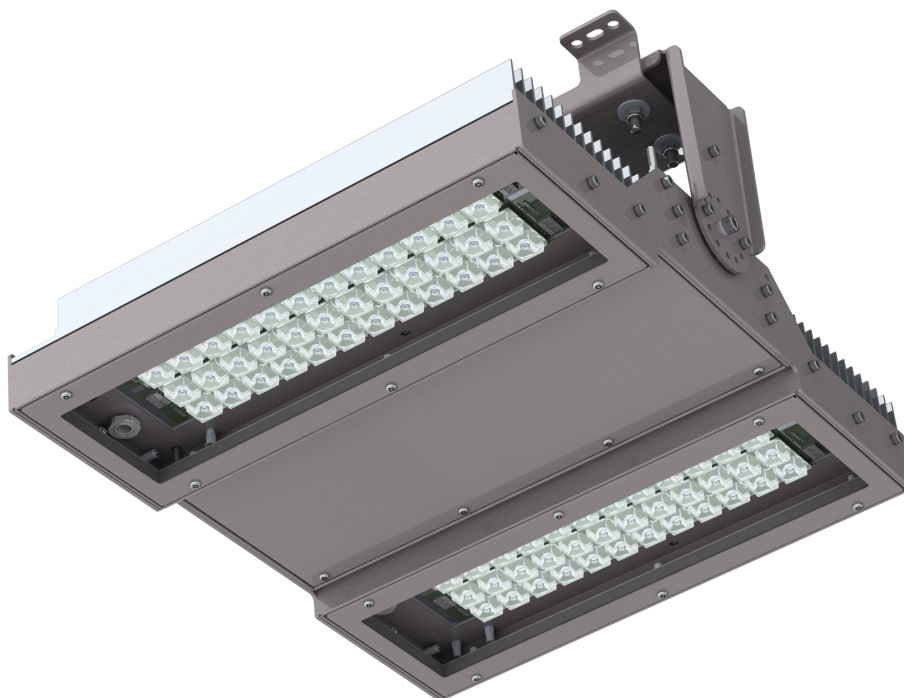




# HPL440LED





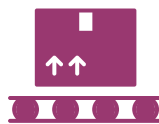
## EXEMPLARY APPLICATIONS



INDUSTRY  
BUILDINGS



WAREHOUSES



PRODUCTION  
LINES



PASSAGEWAYS

Industrial floodlight with LED modules with very high output. Equipped with focusing lens. Thanks to use of optional vibro insulatr it is suitable to work in places exposed to the occurrence of vibrations.

Optional vibro-proof version **VP** or blast-proof version **BP**.

## FEATURES







## MECHANICAL PARAMETERS

	housing	powder coated galvanized steel
	diffuser	tempered glass
	ingress protection	IP65
	protection class	I
	mounting	mounting on a bracket
	accessories	vibroinsulators blastproof diffuser



## WORK PARAMETERS

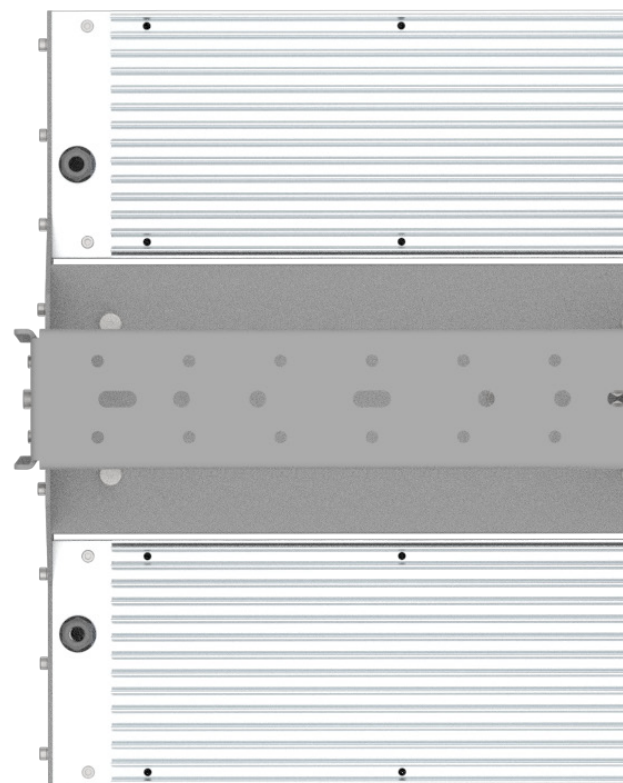
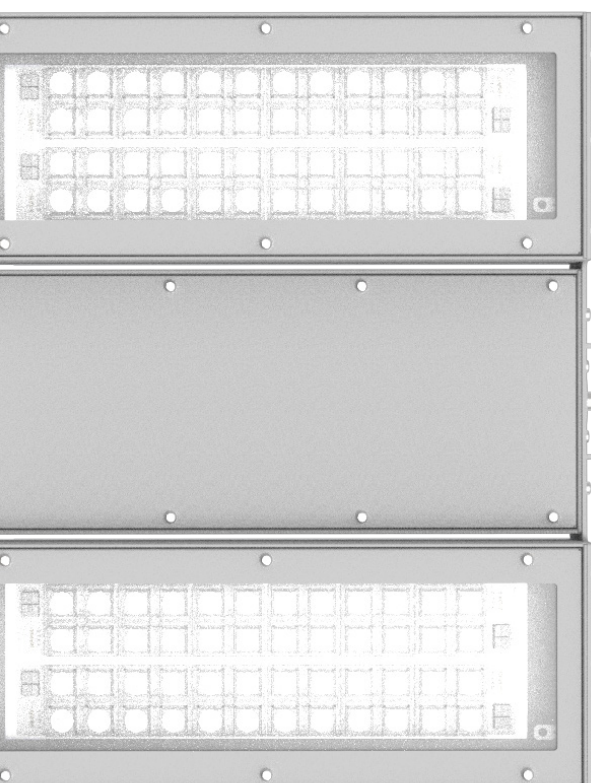
	ambient temperature	-40°C to +60°C <i>check: types comparison</i>
	lifetime	>70.000h L <sub>70</sub> B <sub>10</sub>

## ELECTRICAL PARAMETERS

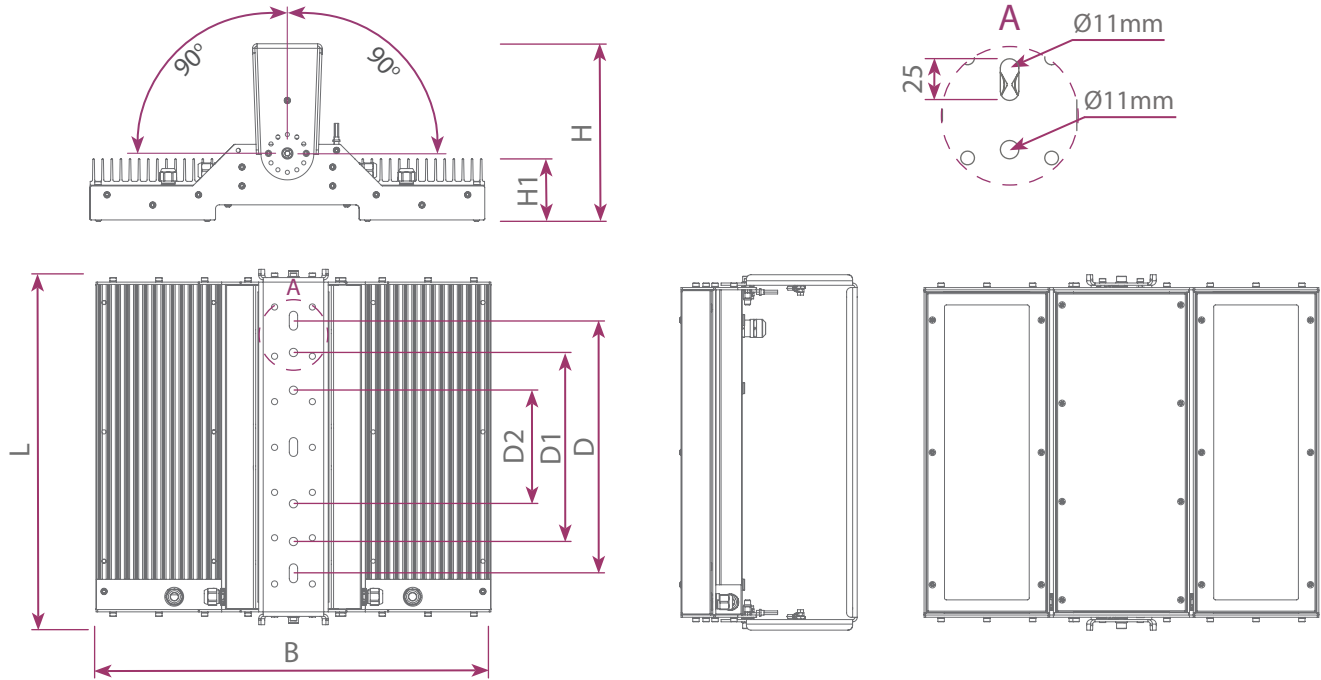
2,5 mm <sup>2</sup>	connection terminals	
230V 50-60Hz	power supply	
certified LED modules	source of light	
>0,95	power factor	
Ø20	cable inlets	
L-N: 6kV L/N-PE: 2kV	overvoltage protection	

## PHOTOMETRICAL PARAMETERS

>70 >80 - <i>optionally</i>	CRI	
4000K	colour temperature	



DIMENSIONS



TYPE	L	B	H	H1	D	D1	D2
HPL440LED	470	522	235	100	334	250	150

TYPES COMPARISON

TYPES COMPARISON +60°C

TYPE OF THE FITTING	LUMINOUS FLUX [lm]	POWER CONSUMP.[W]	EFFICIENCY [lm/W]	MAX. AMB. TEMP. [°C]
HPL440LED-080-H4	10 550	82,0	129	60
HPL440LED-130-H8	16 606	128,0	130	60

TYPES COMPARISON +55°C

TYPE OF THE FITTING	LUMINOUS FLUX [lm]	POWER CONSUMP.[W]	EFFICIENCY [lm/W]	MAX. AMB. TEMP. [°C]
HPL440LED-170-H8	20 738	173,0	120	55

TYPES COMPARISON +40°C

TYPE OF THE FITTING	LUMINOUS FLUX [lm]	POWER CONSUMP.[W]	EFFICIENCY [lm/W]	MAX. AMB. TEMP. [°C]
HPL440LED-250-H8	27 402	235,0	117	40



Luminous flux tolerance +/- 10%  
 Power tolerance +/- 10%  
 The parameters given in the following data sheet has been determined for the temperature Ta=25°C.

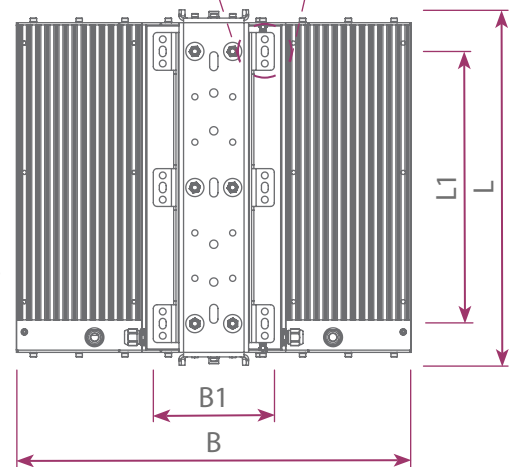
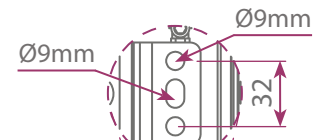
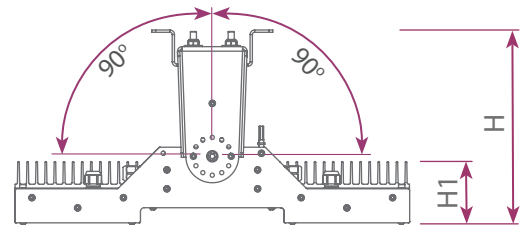
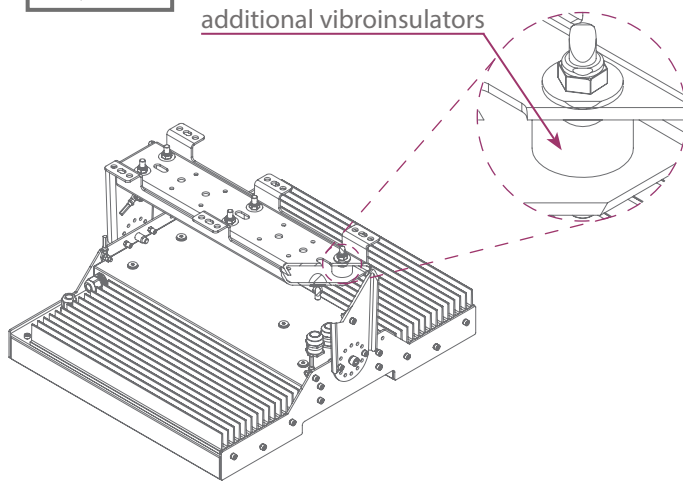
Luminous flux, light intensity distribution and efficiency has been tested on the basis of the standards EN ISO 17025:2005, norm series EN13032 and LM-79.

The actual data and General Warranty Conditions are available on our website [www.atmlighting.pl](http://www.atmlighting.pl)

OPTIONAL EQUIPMENT



OPTIONAL VIBRATIONPROOF VERSION (VP)



TYPE	L	L1	H	H1	B	B1
HPL440LED	470	360	255	100	522	135

ADDITIONAL INFORMATION:

1. A special anaerobic adhesive was used to increase durability and safety on sensitive threaded connections and it prevents self-loosening of parts subjected to vibrations.
2. The luminaire is additionally secured with a protective cable (see Fig. 1.1).
3. An additional bracket made of high-grade stainless steel increases safety in case of damage to damped elements (see Fig. 1.2).

ADDITIONAL PROTECTION

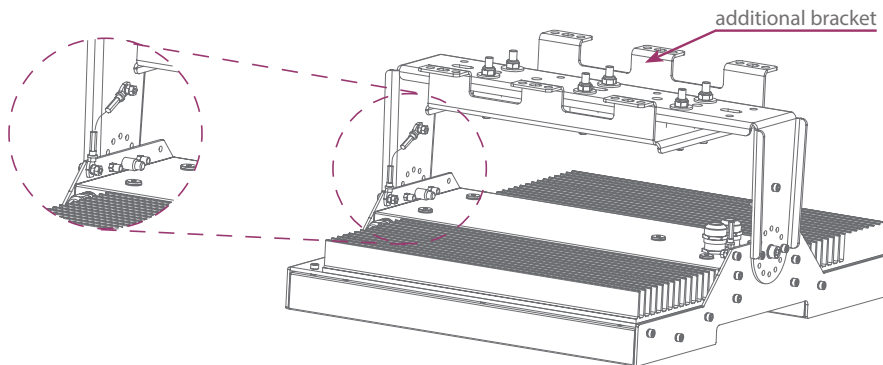


Fig. 1.1

ADDITIONAL BRACKET

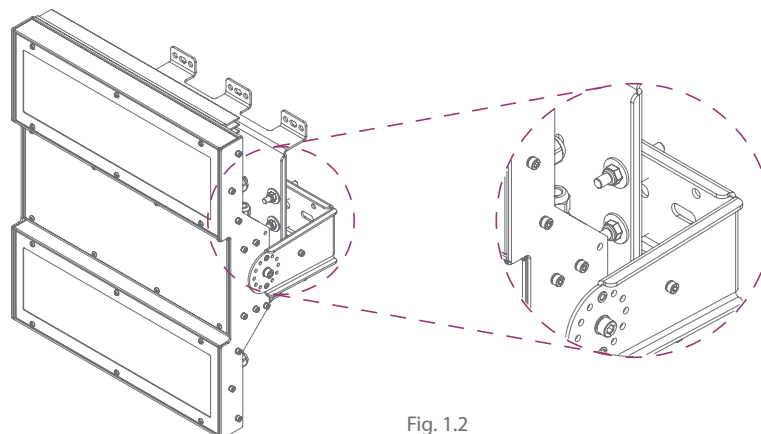


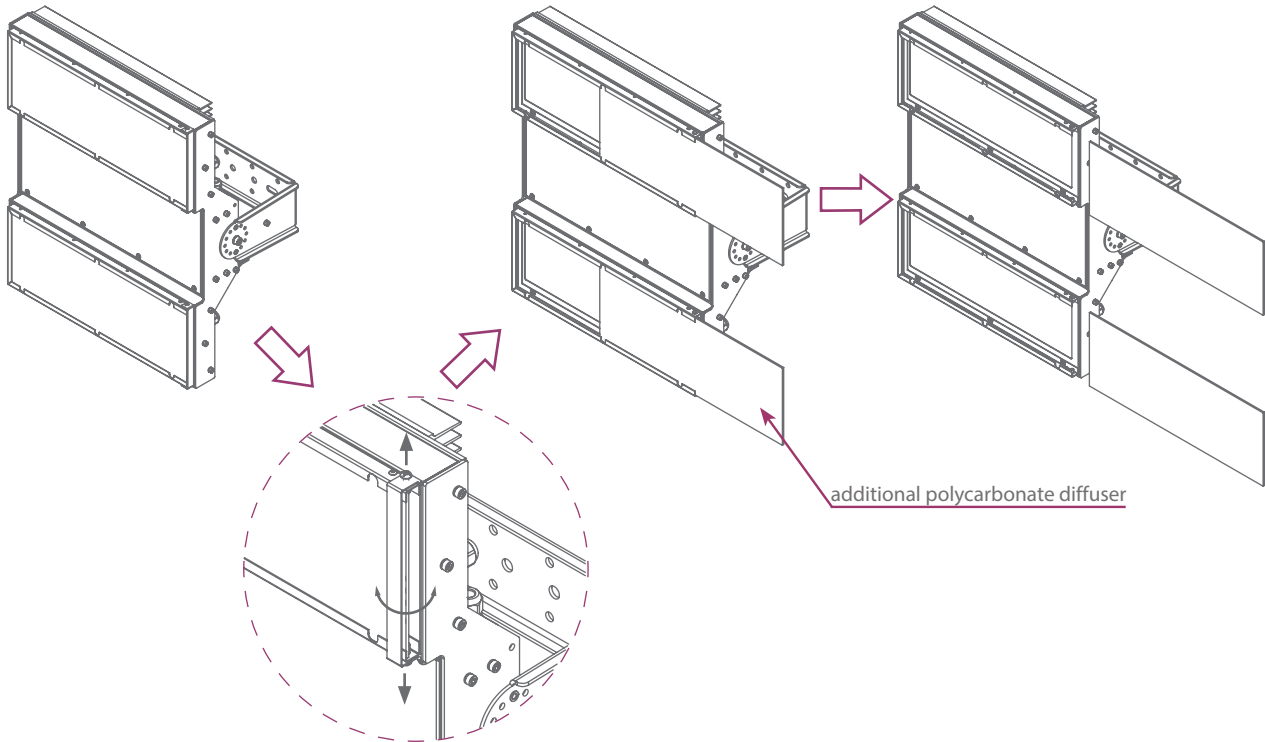
Fig. 1.2

OPTIONAL EQUIPMENT

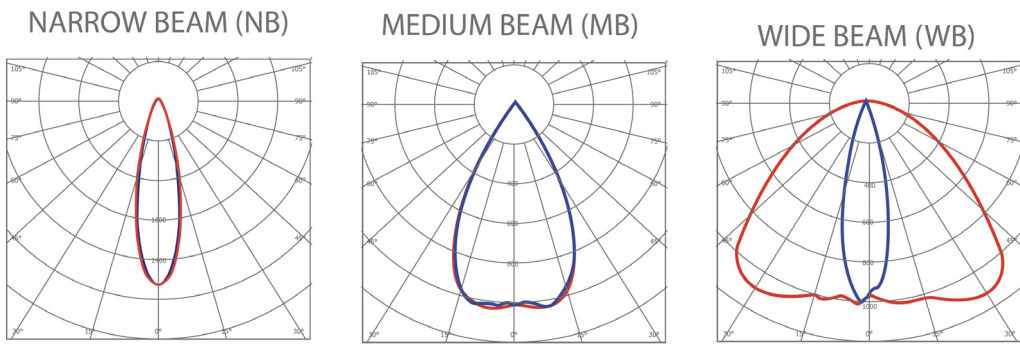


OPTIONAL VIBRATIONPROOF VERSION (BP)

Version is equipped with an easily replaceable, additional polycarbonate diffuser that protects the glass from any damage



PHOTOMETRY



## CONFIGURATIONS

H	P	L	4	4	0	L	E	D	-			-	H			-	3	4	E	-	30	-	20	P	20	-	GS	-	GL	-			-		
<b>group</b>																																			
industrial light fittings																																			
<b>type</b>																																			
type 440																																			
<b>source of light</b>																																			
LED modules																																			
<b>approximate power</b>																																			
[W]																																			
<b>LED module type</b>																																			
<b>LED modules quantity</b>																																			
<b>power supply</b>																																			
34E - 230V, 50÷60Hz																																			
<b>wiring</b>																																			
30 - single 2-pole terminal → 3																																			
<b>cable inlets - quantity</b>																																			
20 - two cable inlets on one side of the housing → 2 0																																			
<b>cable inlets - material</b>																																			
P - plastic																																			
<b>cable inlets - size</b>																																			
20 - Ø20																																			
<b>housing material</b>																																			
GS - galvanized steel																																			
<b>diffuser material</b>																																			
GL - tempered glass																																			
<b>additional equipment</b>																																			
VP - version with vibroinsulators																																			
BP - version with additional blastproof diffuser																																			
<b>optics</b>																																			
WB - wide beam																																			
MB - medium beam																																			
NB - narrow beam																																			

## DOWNLOADS

