



INSTALLATION AND MAINTENANCE MANUAL FOR
LIGHT FITTING

HPL440LED



Before installation, please read this manual
carefully.

TABLE OF CONTENTS

1.	GENERAL INFORMATION.....	3
2.	TECHNICAL INFORMATION	3
3.	PHOTOMETRICAL DATA.....	4
4.	CONSTRUCTION DESCRIPION	4
5.	PRELIMINARIES.....	4
6.	LIGHT FITTING MOUNTING	5
7.	ELECTRICAL CONNECTION	5
8.	CONDITION OF SAFETY USE	6
9.	LIGHT FITTING MAINTANCE AND SERVICING.....	6
10.	CLEANING	7
11.	REPAIRING AND PARTS EXCHANGE.....	7
12.	LAMPS EXCHANGE	7
13.	TRANSPORT AND CONDITIONS OF STORAGE.....	7
14.	DISPOSAL OF WASTE EQUIPMENT.....	7
15.	WARRANTY	7

1. GENERAL INFORMATION

Industrial floodlight with very high output LED modules. Equipped with focusing lens. Thanks to use of optional vibro-insulators it is suitable to work in places exposed to the occurrence of vibrations.

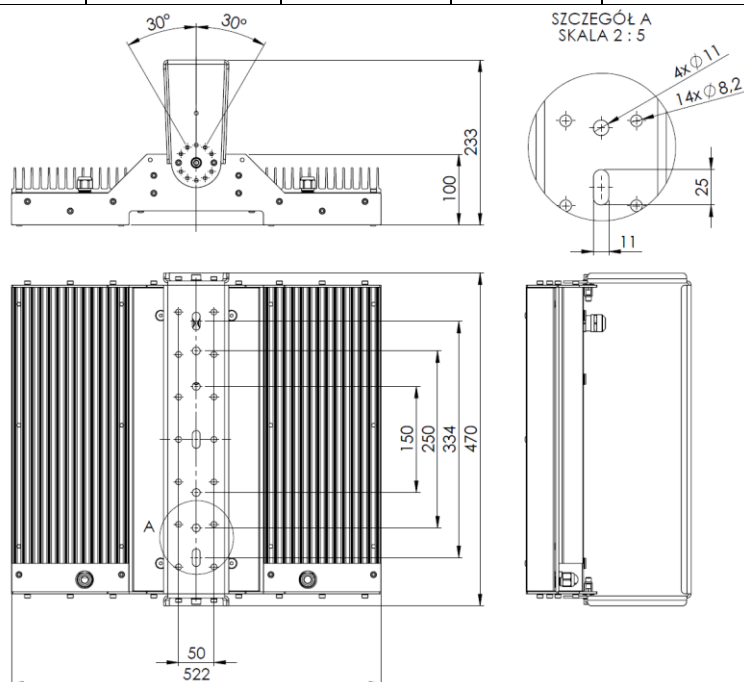
DOSTĘPNE KONFIGURACJE | AVAILABLE OPTIONS

H	P	L	4	4	0	LED	—		—	H	—	3	4	E	—	3	0	—	2	0	P	2	0	—	GS	—	GL	—		—		—			
grupa group		typ type		przebieżona moc approximate power		typ modułu LED / LED module type	ilość / quantity	zasilanie power supply	okablowanie wiring	wpusy kablowe cable inlets	materiał obudowy housing material	materiał klosza diffuser material	wersja wstrząsoodporna vibration proof version	rodzaj optyki optics type																					
				090 130 170 250		H4 H8							VP	WB MB NB																					

LED module risk group RG=1

2. TECHNICAL INFORMATION

Type	Power	Electrical unit	IP	Protection class	Ambient temp.
HPL440LED-090-H4	70 W	230V 50-60Hz	65	I	-40 to +60 °C
HPL440LED-130-H8	128 W				-40 to +55 °C
HPL440LED-170-H8	173 W				-40 to +40 °C
HPL440LED-250-H8	235 W				



3. PHOTOMETRICAL DATA

Type	Luminous flux	Efficiency	Colour temperature	CRI	Lifetime
HPL440LED-090-H4	10524 lm	117 lm/W	4000K	>80	>50000 h
HPL440LED-130-H8	16606 lm	130 lm/W			
HPL440LED-170-H8	20738 lm	120 lm/W			
HPL440LED-250-H8	27400 lm	117 lm/W			

Lifetime of a LED modules: L70B10

4. CONSTRUCTION DESCRIPTION

The luminaire has been built in accordance with the principles of good engineering practice. The product meets the essential requirements of directives and harmonised standards listed in the supplied EU declaration of conformity. Applied solutions and materials, electrical equipment and properly selected insulation distances prevent sparking, electrostatic charges, dangerous heating and other damage to the luminaire as a result of external conditions during normal operation.

The luminaire is made as a multi-chamber device. The body is made of powder-coated galvanized steel. Mounting plate and mounting brackets are made of powder-coated galvanized steel.

The diffuser is made of tempered glass.

Additionally, the version is equipped with rubber shock absorbers to dampen vibrations.

5. PRELIMINARIES

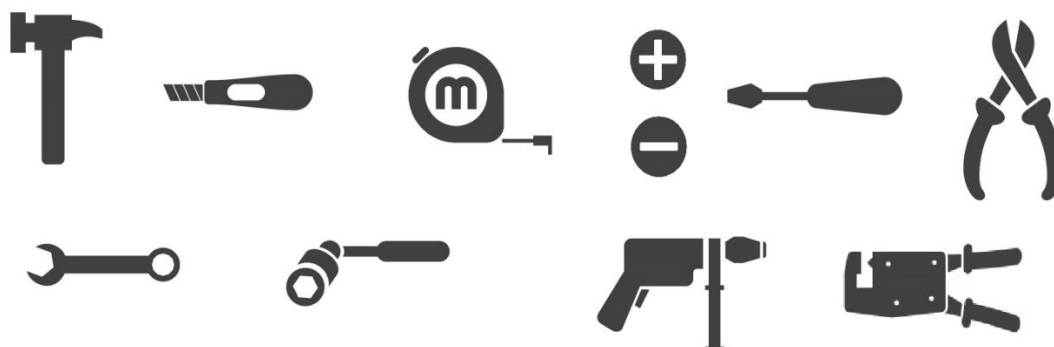
SAFETY RULES

- Before installing the luminaire, please read carefully all the information in this user manual,
- Follow the general safety precautions,
- Failure to observe the rules concerning installation and use may lead to personal injury or material loss. ATM Lighting sp. z o.o. is not responsible for such cases,
- Failure to follow the instructions in this manual will result in loss of the manufacturer's warranty,
- The manufacturer shall not be responsible for damages resulting from improper installation of the device, failure to maintain it in a proper technical condition and use for purposes other than for which it was intended.
- It is the responsibility of the user to carry out the installation in accordance with this manual and the safety regulations and norms applicable to the type of installation to be carried out.
- In the event of a malfunction, the device shall be switched off and returned for repair to the manufacturer or to a unit authorized by the manufacturer.



It is essential to disconnect the device from the power supply before performing any assembly operations, including opening the housing.

NECESSARY TOOLS



6. LIGHT FITTING MOUNTING

The luminaire is equipped with a mounting bracket designed to be mounted directly on the mounting surface with screws. The spacing and size of the holes are described in section 2.

7. ELECTRICAL CONNECTION

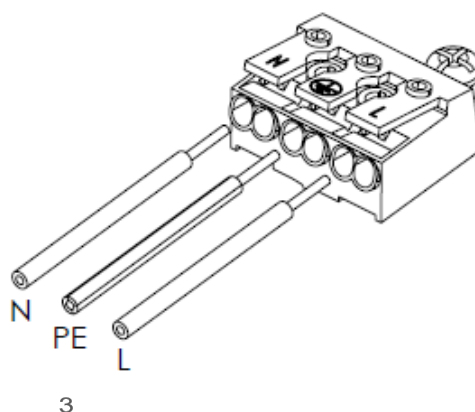


Installation and connection to the electrical system should be in accordance with the requirements of the norm PN-EN 60598-1:2015-04 and general safety rules.

To connect the power supply:

- enter the power cable to the housing through the cable entry (gland),
- carefully unisolate the cables cores (8-10mm), and put it into the connector according to marking inside the light fitting,
- precisely tighten power cable in the gland with two wrench,
- check the effectiveness of grounding.

Power connection:



8. CONDITION OF SAFETY USE

- Each luminaire has a nameplate with technical data. Each luminaire has an instruction manual, which should be kept until the end of the luminaire's service life.
- The luminaires are only suitable for stationary installations.
- Operation of the luminaire outside the specified ambient temperature range is unacceptable and will lead to faster wear and/or damage to the luminaire. At the same time, it will cause the manufacturer's warranty to be cancelled.



Caution: The use of a luminaire outside the specified ambient temperature range can result in shortened service life of the lighting modules.

- Each luminaire must have a warning plate with the contents: "DO NOT OPEN UNDER VOLTAGE".
- Admission cables must have 3-wires (with PE wire) and diameter 8-13mm.
- Use power wires with cross section 1-2,5mm².
- Maximum cross current I=16A.



- Do not look at a working light source



- Risk of electric shock

9. LIGHT FITTING MAINTANCE AND SERVICING

REMARK: during the servicing and maintenance touching of LED are prohibited, because it will decrease the lifetime of light fitting and cause the loss of manufacturer's warranty.



It is recommended to carry out inspections of electrical equipment in accordance with the requirements of the norm PN-EN 60598-1:2015-04.

INSPECTION: at least once a month. Inspection is made without opening the light fitting. User must check admission cables condition (insulation damage, cracks, burns etc.). Cables must not have any acute bends. Outside parts of the light fitting must be checked. No cracks or corrosion signs may occur. Bolts used to mount light fitting should be properly tightened, washers mustn't be cracked. Cleanliness of outer surfaces and light fittings surroundings must be checked. Light fittings may not be soiled by paint or grease. Do not allow for dust (dirt) deposition on the light fitting. The readability of rating and warning plates must be checked. Abnormalities found must be fixed. **In addition, the level of tightening of the mounting screws for the mounting bracket must be checked once a week in order to eliminate any loosening due to vibrations.**

SERVICE AND MAINTENANCE: at least once a year. Service and maintenance must be made with power supply turned off. User must make inspection steps first. After opening: metal parts painting, condition of inner wiring and its mounting, insulating materials, cable glands gaskets, terminals. Abnormalities found must be fixed. Rating and warning plates must be cleaned. Surfaces of insulating materials and covers must be clean.

VERIFICATION OF TECHNICAL CONDITION: at least once for 2 years. Power supply must be switched off. Light fitting must be uninstalled. Besides all the examination from inspection, service and maintenance paragraphs electrical examination from the inspection, service and maintenance paragraphs electrical examination must be also made: light fitting current consumption, insulation examination, protective earthing condition. Special attention must be paid to insulating parts condition. No crack or burns may occur.

10. CLEANING



Do not allow for dust (dirt) deposition on the light fitting. Cleaning must be proceeded without use of chemical. Cleaning must be proceeded with use of compressed air and soft cleaning cloth or soft brush. If necessary use water and/or neutral detergent, however without any chemicals, which can damage any part of the light fitting.

11. REPAIRING AND PARTS EXCHANGE

All of parts considered as a spare parts must be ordered at manufacturer of light fitting.



All repairs may only be carried out by the manufacturer or an authorised service workshop in accordance with the requirements of the norm PN-EN 60598-1:2015-04.

12. LAMPS EXCHANGE

The light source used in this luminaire must be replaced only by the manufacturer or his service representative or a similarly qualified person.

13. TRANSPORT AND CONDITIONS OF STORAGE

During transportation light fittings shouldn't be exposed to precipitation or mechanical shock.

Light fittings may be storage only in sheltered warehouses, within +5°C to +35°C temperature range, and relative humidity lower than 75%. No corrosion causing vapors or gases should be present.

14. DISPOSAL OF WASTE EQUIPMENT

User must obey relevant rules and regulations about disposal of wasted equipment valid in their country.

15. WARRANTY

- It is forbidden to use a damaged or faulty luminaire. In order to detect any anomalies, installation checks must be carried out.
- It is required to disconnect the power supply from the luminaire before carrying out any maintenance work.

- It is not allowed to make changes in the luminaire's construction on one's own. Any unauthorized interference may cause a decrease in functionality, or damage the device, and in special cases may pose a threat to life or health. At the same time, it releases the manufacturer from any warranty responsibility.
- For detailed information, please refer to "ATM Lighting sp. z o.o. General Terms and Conditions of Warranty" available at www.atmlighting.pl.

ADDRESS:

ATM Lighting sp. z o.o.

ul. Budowlanych 31 80-298 Gdańsk

tel: +48 58 347 51 07 fax: +48 58 347 51 08

office@atmlighting.pl